

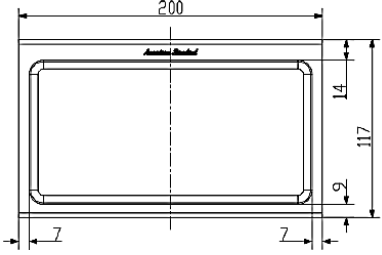
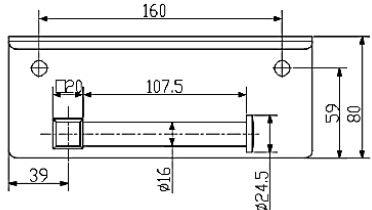
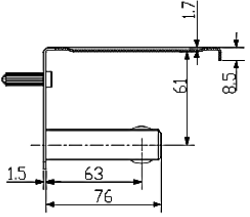




PROJECT		REF		REV	ITEM CODE	
LOCATION		DATE			PAGE	

SANITARY WARE SPECIFICATION SHEET

<p>Item Descriptions</p>	<p>American Standard (PRC) "Concept Square" Single tissue holders with shelf</p>	<p align="center">Illustration/ Drawing</p>  
<p>Dimensions</p>	<p>L200 x W117 x H80 mm</p>	
<p>Model</p>	<p>CF-0498.908.50</p>	
<p>Finish</p>	<p>Polish Steel / Chrome Plated</p>	
<p>Manufacturer</p>	<p>American Standard (PRC)</p>	
<p>Source</p>	<p>Acme Sanitary Ware Co. Ltd Mr. Eric Wong / Mr. Don Yuen</p>	
<p>Contact Tel/Fax</p>	<p>(852) 2388-7171 / (852) 2710-8012</p>	
<p>E-mail</p>	<p>acme@acmesanitary.com.hk</p>	
<p>Website</p>	<p>www.acmesanitary.com.hk</p>	
<p>Material:</p> <ul style="list-style-type: none"> Shelf – Polished steel finish Others – Chrome Plated <p>Detail specifications:</p> <ul style="list-style-type: none"> Concept Square – Single Tissue Holders W/ Shelf Modern design SUS304 stainless steel shelf, polished finish Zinc die casting support pole SUS201 cross bar & screw Black color box packaging <p>Standards Criteria:</p> <ul style="list-style-type: none"> QB/T 1560-2017 		

Note:

* All information of the above is for reference only. No prior notice is made if any changes.